

# 10GBASE-T to 10GBASE-X SFP+ Media Converter



## Flexible and Reliable 10G Network Distance Extension Solution

PLANET XT-715A Media Converter, adopting the IEEE 802.3bz/an/ae Ethernet standard technology, is equipped with one 2.5G/5G/10GBASE-T auto-negotiation port and one 10GBASE-X SFP+ slot. It supports 10Gigabit Ethernet media conversion from copper 10GBASE-T to fiber multi-mode or single-mode transmission, utilizing a 10GBASE-SR or 10GBASE-LR SFP+ transceiver placed in the SFP+ slot to extend distances where servers and switches can be reached. The deployment distance can be extended from 300 meters (multi-mode fiber cable) to 2/10/20/40/60/70/80 kilometers (single-mode fiber cable). They are designed for use in network environments where the ultra-high bandwidth provided by 10Gigabit Ethernet is required, for example, data center cloud computing, enterprise backbones, campus networks, and carrier infrastructure.



## High Performance 10Gbps Ethernet Capacity

The XT-715A offers wire-speed packets transfer performance without the risk of packet loss. The high data throughput of the device makes it ideal for most Gigabit environments. With a 20Gbps internal fabric, 16K jumbo frame feature and auto negotiation support in its 10 Gigabit port, the XT-715A can handle extremely large amounts of data transmission in a secure topology linking to data center cloud computing, enterprise backbones or high capacity servers, campus networks, and carrier infrastructure.

## Physical Port

- Media conversion between 2.5G/5G/10GBASE-T and 10GBASE-X SFP+ fiber optic
- Copper RJ45 port supports 2.5G/5G/10GBASE-T auto-negotiation and auto-MDI/MDI-X
- 10GBASE-X SFP+ Fiber Optic allows
  - Multi-mode fiber using LC connector
  - Single-mode fiber using LC connector

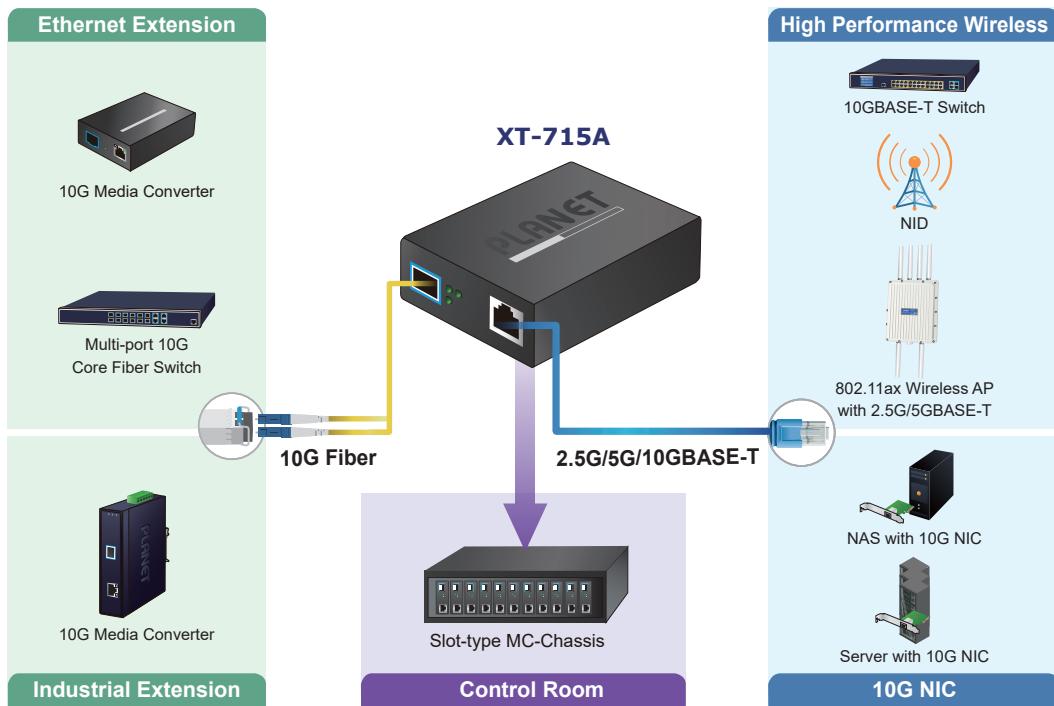
## Layer 2 Features

- IEEE 802.3bz/an/ae Ethernet standard compliant
- Non-blocking full wire-speed forwarding rate
- IEEE 802.1Q tag-based VLAN transparency, multicast passthrough
- 16K jumbo frame
- IEEE 802.3x full-duplex and half-duplex back pressure flow control to eliminate the loss of packets

## Mechanical

- Metal case
- LED indicators for easy network diagnostics
- 100 meters over Cat 6A/Cat 7 at 10Gbps RJ45 port
- External 5V DC, 2A power input socket
- Wall mounting or DIN-rail installation (optional)
- 0 to 50 degrees C operating temperature
- Compact in size, Plug and Play installation
- Best with PLANET's 10"/19" Media Converter Chassis (MC-700/MC-1500/MC-1500R/MC-1500R48)

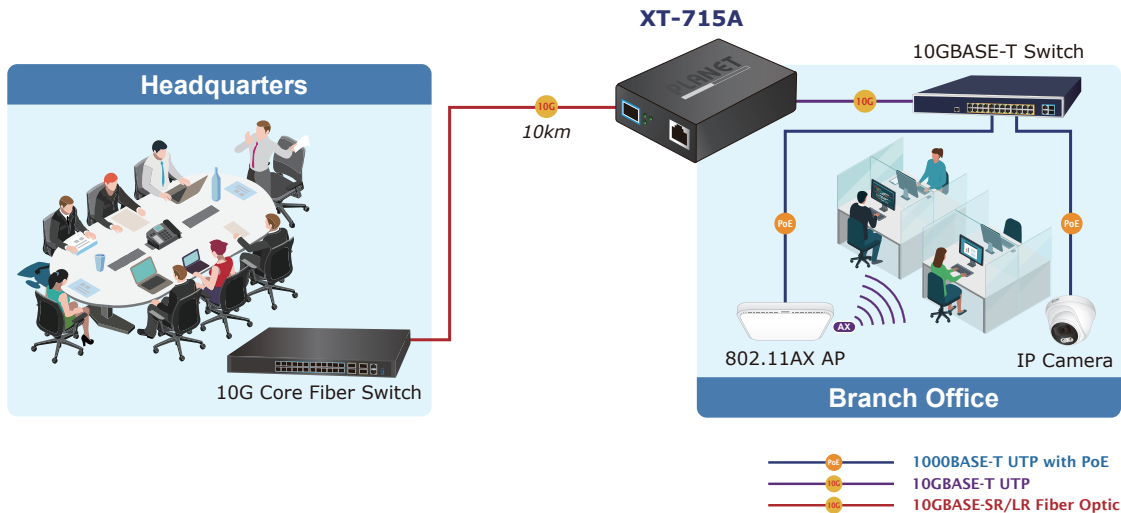
### 10Gbps Fiber to Copper Media Converter Application



#### 10G Fiber-optic Linking Capability Enables Extension of Network Deployment

The SFP+ slot of the XT-715A is compatible with 10GBASE-SR or 10GBASE-LR (Small Form Factor Pluggable) fiber-optic transceivers. The fiber optic uplink capability guarantees the throughput to all nodes hooked into the network and the 10 Gigabit Ethernet distance can be extended from 300 meters (multi-mode fiber cable) to 2/10/20/40/60/70/80 kilometers (single-mode fiber cable). It is ideal for applications within the data centers and distributions.

Optic Mode	Connector Type	Distance
Multi-mode	Duplex LC	300m
Single mode	Duplex LC	2/10/20/40/60/80km
Single mode WDM	Simplex LC	10/20/40/60/70km



#### Low Power Consumption for Energy Savings

The XT-715A adopting the advanced chip technology has the power-saving feature that has a low power consumption of only 5.3 watts when in full operation.

Used as Standalone Unit or With Chassis

The XT-715A Media Converter can be used as a standalone unit or as a slide-in module to the PLANET Media Converter Chassis (MC-700 and MC-1500 chassis series). The media chassis can assist in providing DC power to the XT-715A Media Converter to maintain the fiber-optic network in one centralized location. It can be DIN-rail or wall mounted for efficient use of cabinet space.

### Optional installation method



Media Chassis Installation



DIN-rail Installation



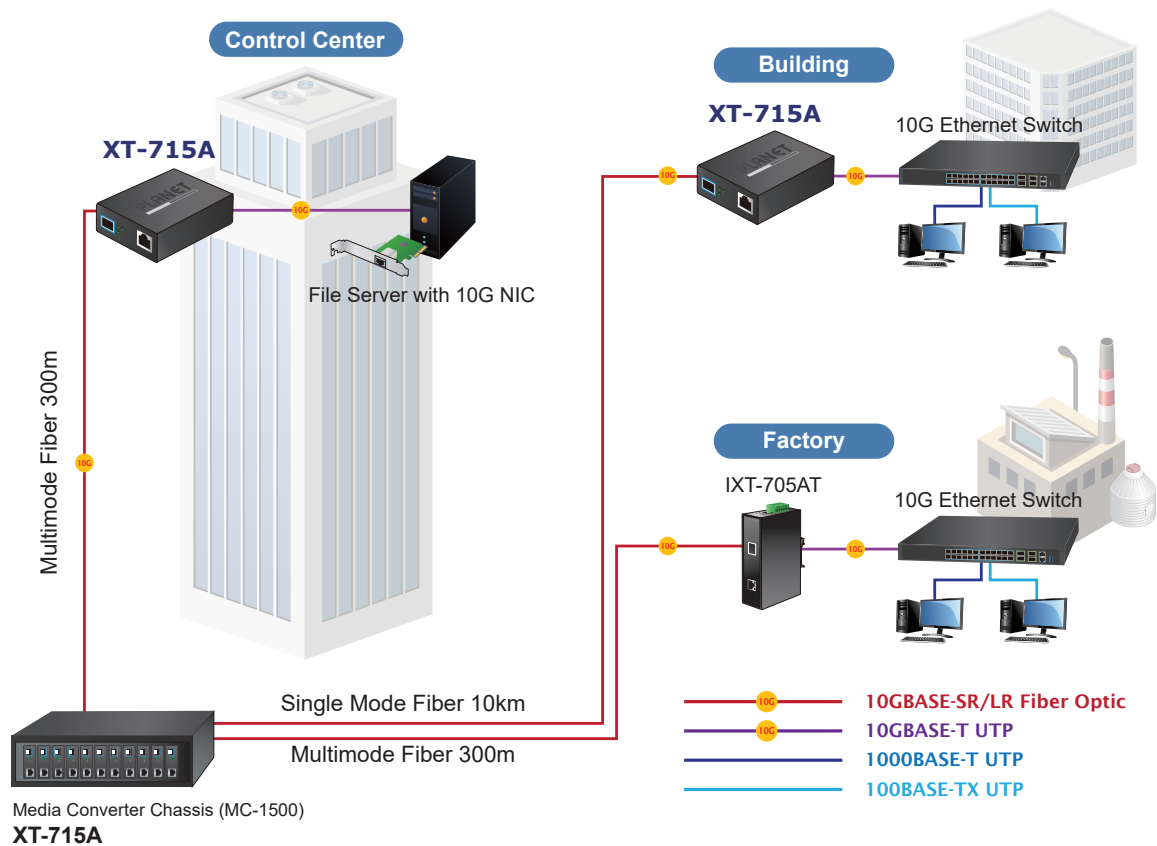
Wall-mount Installation

### Applications

Ideal for Deploying Network with 10G Fiber-optic Cabling for ISPs and Enterprises

With 10G performance of data transmission and easy installation, the XT-715A can build the FTTH (Fiber to the Home) or FTTC (Fiber to the Curb) network for ISPs and the FTTBs (Fiber to the Buildings) network for small enterprises network.

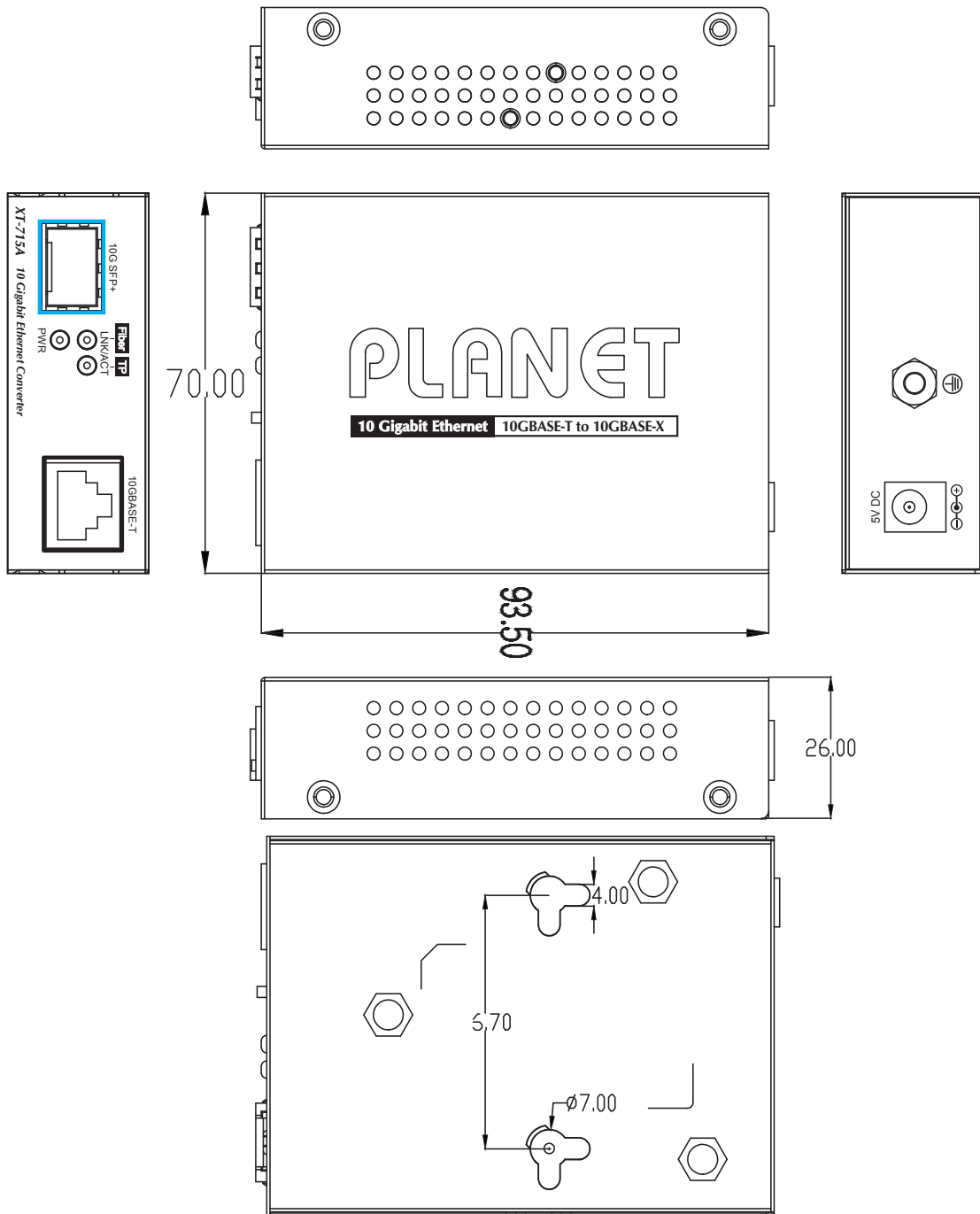
### Fiber to Ethernet Can Support Large-scale Retail Networks



## Specifications

Model	XT-715A
<b>Interface</b>	
Copper Interface	2.5G/5G/10GBASE-T Ethernet RJ45 interface Auto-negotiation, auto MDI/MDI-X
SFP Interface	10GBASE-X SFP+ interface
Fiber Mode	May vary on SFP Module
Fiber Port Type (connector)	SFP, LC type
Fiber Maximum Distance	May vary on SFP Module
Network Cables	<p><b>2.5G/5G/10GBASE-T:</b> 2.5G--Cat 5e/Cat 6/Cat 6A/Cat 7 5G--Cat 6/Cat 6A/Cat 7 10G--Cat 6A/Cat 7 Cat 5e/6/6A/7 UTP cable (100 meters, max.) EIA/TIA-568 100-ohm STP (100 meters, max.)</p> <p><b>10GBASE-X:</b> 50/125µm or 62.5/125µm multi-mode fiber optic cable, up to 300m 9/125µm single-mode fiber optic cable, up to 80km</p>
<b>Hardware Specifications</b>	
Enclosure	Metal case
Dimensions (W x D x H)	93.5 x 70 x 26 mm
Weight	216g
LED	System: PWR (Green) <b>10GBASE-X SFP+ Interface:</b> Fiber LNK/ACT(Green) <b>10GBASE-T Ethernet Port:</b> TP LNK / ACT(Green)
Power Supply	DC 5V, 2A Power Socket, external AC-to-DC adapter
Installation	Wall-mount or DIN-rail installation(Optional)
<b>Layer 2 Features</b>	
Forwarding Rate	Non-blocking full wire-speed forwarding rate
Flow Control	Back pressure for half duplex mode IEEE 802.3x pause frame for full duplex mode
Maximum Frame Size	16K
<b>Standards Conformance</b>	
Regulatory Compliance	FCC Part 15 Class A, CE
Protocols and Standards Compliance	IEEE 802.3bz 2.5G/5GBASE-T IEEE 802.3an 10GBASE-T IEEE 802.3ae 10Gbps Ethernet IEEE 802.3x Flow Control
<b>Environment</b>	
Temperature	Operating: 0 ~ 50 degrees C Storage: -10 ~ 70 degrees C
Humidity	5% ~ 95% non-condensing

## Dimensions



**Unit: mm**

## Ordering Information

XT-715A

10GBASE-T to 10GBASE-X SFP+ Media Converter

## Related Products

XT-705A	10G/5G/2.5G/1G/100M Copper to 10GBASE-X SFP+ Media Converter
XST-705A	10G/5G/2.5G/1G/100M Copper to 10GBASE-X SFP+ Smart Media Converter
XT-905A	1-Port 10G/5G/2.5G/1G/100BASE-T + 1-Port 10G/1GBASE-X SFP+ Managed Media Converter
XT-915A	2-Port 10G/1GBASE-X SFP+ Managed Media Converter
XT-925A	1-Port 10G/5G/2.5G/1G/100BASE-T + 2-Port 10G/1GBASE-X SFP+ Managed Media Converter
IXT-705AT	Industrial 10G/5G/2.5G/1G/100M Copper to 10GBASE-X SFP+ Media Converter

## Available 10Gbps SFP+ Modules

MTB-RJ	1-Port 10GBASE-T SFP+ Copper Fiber Optic Module - 30m
MTB-SR	1-Port 10GBASE-SR SFP+ Fiber Optic Module - 300m
MTB-SR2	1-Port 10GBASE-SR SFP+ Fiber Optic Module – 2km
MTB-LR	1-Port 10GBASE-LR SFP+ Fiber Optic Module - 10km
MTB-LR20	1-Port 10GBASE-LR SFP+ Fiber Optic Module - 20km
MTB-LR40	1-Port 10GBASE-LR SFP+ Fiber Optic Module - 40km
MTB-LR60	1-Port 10GBASE-LR SFP+ Fiber Optic Module - 60km
MTB-LR80	1-Port 10GBASE-LR SFP+ Fiber Optic Module - 80km
MTB-LA10	1-Port 10GBASE-BX SFP+ Fiber Optic Module - 10km (TX:1270nm RX:1330nm)
MTB-LB10	1-Port 10GBASE-BX SFP+ Fiber Optic Module - 10km (TX:1330nm RX:1270nm)
MTB-LA20	1-Port 10GBASE-BX SFP+ Fiber Optic Module - 20km (TX:1270nm RX:1330nm)
MTB-LB20	1-Port 10GBASE-BX SFP+ Fiber Optic Module - 20km (TX:1330nm RX:1270nm)
MTB-LA40	1-Port 10GBASE-BX SFP+ Fiber Optic Module - 40km (TX:1270nm RX:1330nm)
MTB-LB40	1-Port 10GBASE-BX SFP+ Fiber Optic Module - 40km (TX:1330nm RX:1270nm)
MTB-LA60	1-Port 10GBASE-BX SFP+ Fiber Optic Module - 60km (TX:1270nm RX:1330nm)
MTB-LB60	1-Port 10GBASE-BX SFP+ Fiber Optic Module - 60km (TX:1330nm RX:1270nm)
MTB-LA70	1-Port 10GBASE-BX SFP+ Fiber Optic Module - 70km (TX:1270nm RX:1330nm)
MTB-LB70	1-Port 10GBASE-BX SFP+ Fiber Optic Module - 70km (TX:1330nm RX:1270nm)